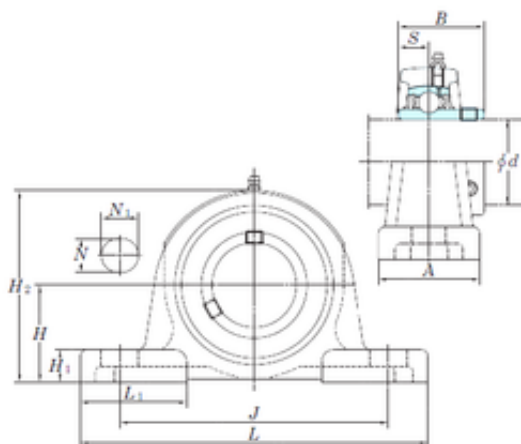




# NTN DRIVESHAFT,INC.



SKF Snr NTN NSK Koyo Timken Pillow Block  
 Bearing UCP201 UCP202 UCP203 UCP204  
 UCP205 UCP206 UCP207 UCP208 UCP209  
 UCP210

Bearing No. UCP201

|                               |         |
|-------------------------------|---------|
| Bore Diameter                 | 12 mm   |
| Width                         | 31 mm   |
| d                             | 12 mm   |
| A                             | 38 mm   |
| B                             | 31 mm   |
| H                             | 30,2 mm |
| H1                            | 12 mm   |
| H2                            | 60 mm   |
| J                             | 95 mm   |
| L                             | 127 mm  |
| L1                            | 38 mm   |
| N                             | 13 mm   |
| N1                            | 18 mm   |
| S                             | 12,7 mm |
| Bolt (G)                      | M10     |
| Weight                        | 0,63 Kg |
| Basic dynamic load rating (C) | 12,8 kN |
| Basic static load rating (C0) | 6,65 kN |
| Bearing No.                   | UCP201  |
| Bolt size                     | M10     |
| Cr                            | 12.8    |
| C0r                           | 6.65    |
| f0                            | 13.2    |
|                               |         |

UCP201 Bearing 2D drawings and 3D CAD models



## NTN DRIVESHAFT,INC.

|                       |           |
|-----------------------|-----------|
| (Refer.)Unit mass(kg) | 0.63      |
| Nipple size           | 1/4-28UNF |